



**EUROPEAN BOWL ASSOCIATION**  
 7<sup>th</sup> European Bocce Championship U 18 - Single  
 8<sup>th</sup> European Bocce Championship U 18 – National Teams  
 FEDERAZIONE SVIZZERA DI BOCCHE / PRO TICINO ZURIGO  
 Zurich 3 – 6 september 2014



## Programm / Programma

<i>Date</i>	<i>Hour</i>			
03.09.	14:00	Akkreditierung	Accreditation	Accreditamento
	17:00	Eröffnungsfeier	Opening ceremony	Cerimonia d'apertura
	18:00	Auslosung	Drawing	Sorteggio
	19:00	Nachtessen	Dinner	Cena
	20:00	Bahnprobe	Trainings	Prova campi
04.09.	08:30	Gruppenspiele	Round Robin	Girone all'italiana
05.09.	10:00	Rahmenprogramm	Framework programm	Programma ricreativo
	12:00	Mittagessen	Lunch	Pranzo
	13:00	Viertelfinalspiele Spiele ab 9. Rang	Quarterfinals Games from ranking 9	Quarti di finali Partite dal 9° posto
06.09.	09:00	Halbfinalspiele	Semifinals	Semifinali
	12:00	Mittagessen	Lunch	Pranzo
	13:30	Finalspiele	Finals	Finali
	16:30	Siegerehrung	Medal ceremony	Premiazione
	20:00	Abschluss- Nachtessen	Termination Dinner	Cena di chiusura
07.09		Abreise	Departure	Rientro

## Adressen / Address / Indirizzi

Bocciodromo 1	Badenerstrasse 526	8048 Zürich	+41 44 492 46 41
Bocciodromo 2	Bohnackerstrasse 6	8953 Dietikon	+41 44 741 35 87
Accreditation	Forum Stadium Letzi	8048 Zürich	+41 79 513 21 22
Hotel Tivoli	Zürcherstrasse 26	8952 Schlieren	+41 44 730 22 11
Swissôtel	Schulstrasse 44	8050 Zürich	+41 44 317 31 11

## Organisationskomitee / Organizing Committee / Comitato Organizzatore

President	Ferrari Carla	
Members	Quadranti Arnoldo Treiber Karl	Quadranti Teresina Amadò Dino



# EUROPEAN BOWL ASSOCIATION

## 7<sup>th</sup> European Bocce Championship U 18 - Single

## 8<sup>th</sup> European Bocce Championship U 18 – National Teams

### FEDERAZIONE SVIZZERA DI BOCCE / PRO TICINO ZURIGO

### Zurich 3 – 6 september 2014



## Piano allenamenti / Trainings Plan

9

Schema utilizzo corsie per gli allenamenti ufficiali  
Schedule for official trainings

Giorno Day	ore time	Corsia 1 Lane 1	Corsia 2 Lane 2	Corsia 3 Lane 3	Corsia 4 Lane 4	Corsia 5 Lane 5	Corsia 6 Lane 6	Corsia 7 Lane 7	Corsia 8 Lane 8
02.09.2014	19.00	Istruzione Arbitri / Briefing Referees							
03.09.2014	16.00	Riunione dei tecnici - Technical meeting							
	17.00	Inaugurazione e presentazione squadre / Opening ceremony and team presentation							
	18.00	Sorteggio / Draw							
	20.00	Nation A	Nation B	Nation C	Nation D	Nation E	Nation F	Nation G	Nation H
	20.10	Nation D	Nation A	Nation B	Nation C	Nation H	Nation E	Nation F	Nation G
	20.20	Nation C	Nation D	Nation A	Nation B	Nation G	Nation H	Nation E	Nation F
	20.30	Nation B	Nation C	Nation D	Nation A	Nation F	Nation G		Nation E
	20.40	Nation I							
	20.50		Nation I			Nation A	Nation B	Nation C	Nation D
	21.00			Nation I		Nation D	Nation A	Nation B	Nation C
	21.10				Nation I	Nation C	Nation D	Nation A	Nation B
	21.20	Nation E	Nation F	Nation G	Nation H	Nation B	Nation C	Nation D	Nation A
	21.30	Nation H	Nation E	Nation F	Nation G	Nation I			
	21.40	Nation G	Nation H	Nation E	Nation F		Nation I		
21.50	Nation F	Nation G	Nation H	Nation E				Nation I	

Nazioni / Nations

A	RUSSIA
B	SLOVAKIA
C	TURKEY
D	HUNGARY
E	SWITZERLAND
F	POLAND
G	ITALY
H	GERMANY
I	SAN MARINO



# EUROPEAN BOWL ASSOCIATION

7<sup>th</sup> European Bocce Championship U 18 - Single  
 8<sup>th</sup> European Bocce Championship U 18 – National Teams  
 FEDERAZIONE SVIZZERA DI BOCCE / PRO TICINO ZURIGO  
 Zurich 3 – 6 september 2014



## Schedule of Championship with 9 nations

1st round

Ranking

Group games:  
Round Robin

Nation 1  
 Nation 2  
 Nation 3  
 Nation 4  
 Nation 5  
 Nation 6  
 Nation 7  
 Nation 8  
 Nation 9

1st  
 2nd  
 3rd  
 4th  
 5th  
 6th  
 7th  
 8th  
 9th

1/4 final

1/2 final

1st : 8th

A1  
B1

A1 : A2

E1  
E3

E1 : E2

1st place  
2nd place

4th : 5th

A2  
B2

A3 : A4

E2  
E4

E3 : E4

3th place  
4th place

2nd : 7th

A3  
B3

B1 : B2

E5  
E7

E5 : E6

5th place  
6th place

3rd : 6th

A4  
B4

B3 : B4

E6  
E8

E7 : E8

7th place  
8th place

9th place

15 games

12 games

total

27 games



# EUROPEAN BOWL ASSOCIATION

7<sup>th</sup> European Bocce Championship U 18 - Single  
 8<sup>th</sup> European Bocce Championship U 18 – National Teams  
 FEDERAZIONE SVIZZERA DI BOCCE / PRO TICINO ZURIGO  
 Zurich 3 – 6 september 2014



## Schedule of Championship with 7 nations

1st round

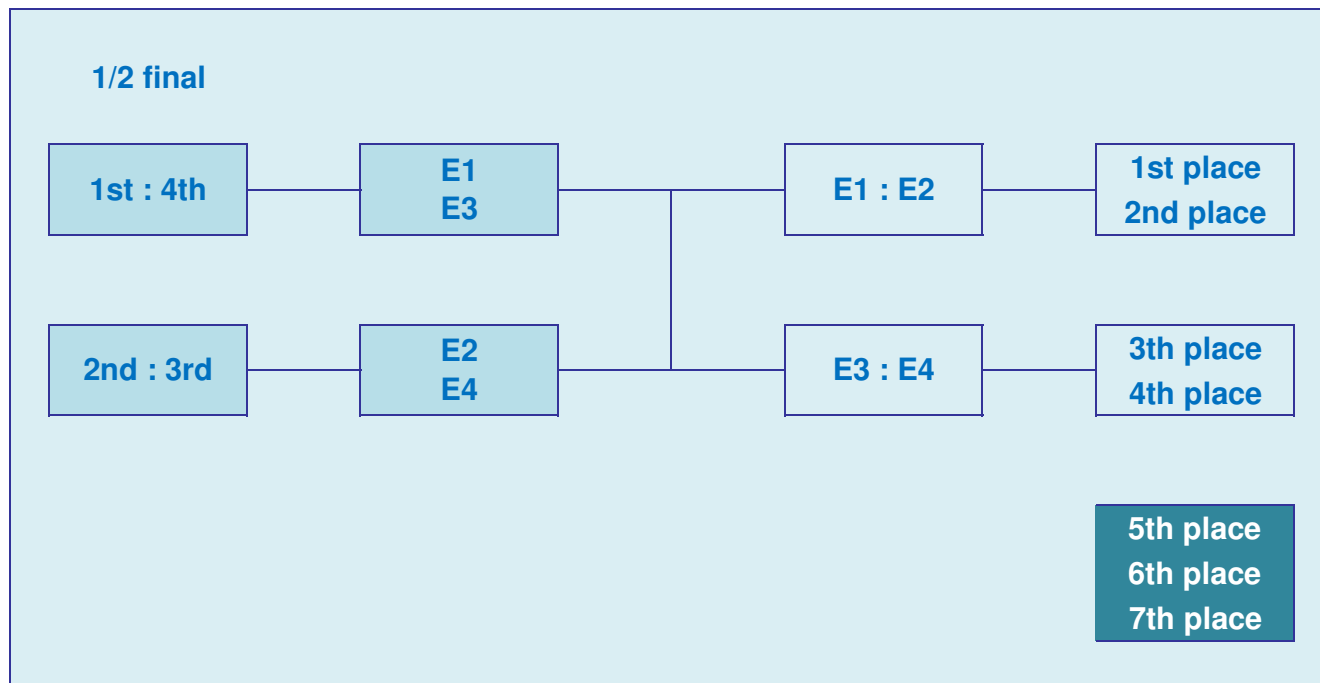
Ranking

Group games:  
Round Robin

- Nation 1
- Nation 2
- Nation 3
- Nation 4
- Nation 5
- Nation 6
- Nation 7

- 1st
- 2nd
- 3rd
- 4th
- 5th
- 6th
- 7th

1/2 final



21 encounters = 63 games

4 encounters = 12 games

total

75 games



# EUROPEAN BOWL ASSOCIATION

## 7<sup>th</sup> European Bocce Championship U 18 - Single

## 8<sup>th</sup> European Bocce Championship U 18 – National Teams

### FEDERAZIONE SVIZZERA DI BOCCE / PRO TICINO ZURIGO

### Zurich 3 – 6 september 2014



#### Games list / Elenco Partite

Day Giorno	time ore	G	Lane / Corsia 1	G	Lane / Corsia 2	G	Lane / Corsia 3	G	Lane / Corsia 4	G	Lane / Corsia 5	G	Lane / Corsia 6	G	Lane / Corsia 7	G	Lane / Corsia 8
Bocciodromo LETZI									Bocciodromo DIETIKON								
04.09.2014	8.30	1	C 1 : 6			4	S 1 7 : 8			6	C 3 : 4			9	C 2 : 3		
	9.30	2	S 1 1 : 6	3	S 2 1 : 6			5	S 1 7 : 9	7	S 1 3 : 4	8	S 2 3 : 4	10	S 1 2 : 5	11	S 2 2 : 5
	10.30			12	S 1 8 : 9												
	13.00	13	C 5 : 7			16	C 3 : 3						19	S 1 6 : 8	21	C 1 : 4	
	14.00	14	S 1 5 : 7	15	S 2 5 : 7	17	S 1 2 : 3	18	S 2 2 : 3	20	S 1 6 : 9			22	S 1 1 : 4	23	S 2 1 : 4
	16.00			24	S 1 5 : 8	26	C 4 : 6			29	C 1 : 2			32	C 3 : 3		
	17.00	25	S 1 5 : 9			27	S 1 4 : 6	28	S 2 4 : 6	30	S 1 1 : 2	31	S 2 1 : 2	33	S 1 3 : 7	34	S 2 3 : 7
	19.30	35	C 2 : 6			38	C 1 : 7			41	C 3 : 5	44	S 1 4 : 9				
	20.30	36	S 1 2 : 6	37	S 2 2 : 6	39	S 1 1 : 7	40	S 2 1 : 7	42	S 1 3 : 5	43	S 2 3 : 5			45	S 1 4 : 8
	05.09.2014	13.00	46	S 1 3 : 8			48	C 2 : 3			51	C 3 : 7			54	C 1 : 3	
14.00				47	S 1 3 : 9	49	S 1 2 : 4	50	S 2 2 : 4	52	S 1 6 : 7	53	S 2 6 : 7	55	S 1 1 : 5	56	S 2 1 : 5
16.00		57	C 4 : 5			60	C 3 : 6						64	C 2 : 7	67	S 1 1 : 9	
17.00		58	S 1 4 : 5	59	S 2 4 : 5	61	S 1 3 : 6	62	S 2 3 : 6	63	S 1 1 : 8			65	S 1 2 : 7	66	S 2 2 : 7
18.30		68	C 1 : 3			71	S 1 2 : 9			73	C 4 : 7			76	C 3 : 8		
19.30		69	S 1 1 : 3	70	S 2 1 : 3			72	S 1 2 : 8	74	S 1 4 : 7	75	S 2 4 : 7	77	S 1 5 : 6	78	S 2 5 : 6
21.00		79	S 1 1st : 8th	80	S 1 2nd : 7th	81	S 1 3rd : 6th	82	S 1 4th : 5th								
22.00						83	S 1 B3 : B4	84	S 1 B1 : B2								
06.09.2014	9.00			85	C 1st : 4th			88	C 2nd : 3rd								
	10.00	87	S 2 1st : 4th	86	S 1 1st : 4th	90	S 2 2nd : 3rd	89	S 1 2nd : 3rd								
	11.00	91	S 1 E5 : E6	92	S 1 E7 : E8	93	S 1 A1 : A2	94	S 1 A3 : A4								
	13.30	95	C E1 : E2			98	C E3 : E4										
	14.30	96	S 1 E1 : E2	97	S 2 E1 : E2	99	S 1 E3 : E4	100	S 2 E3 : E4								
	15.30	101	S 1 E3 : E4	102	S 1 E1 : E2												
16.30			Medal Ceremony / Premiazione														

- G = Game / Partita
- = Single games, valid for the EC for National teams.
  - = Double games, valid for the EC for National teams.
  - = Single games valid for the EC singles.

- = Partite individuali valide per il CE a squadre
- = Partite a coppie valide per il CE a squadre
- = Partite valide per il CE individuale